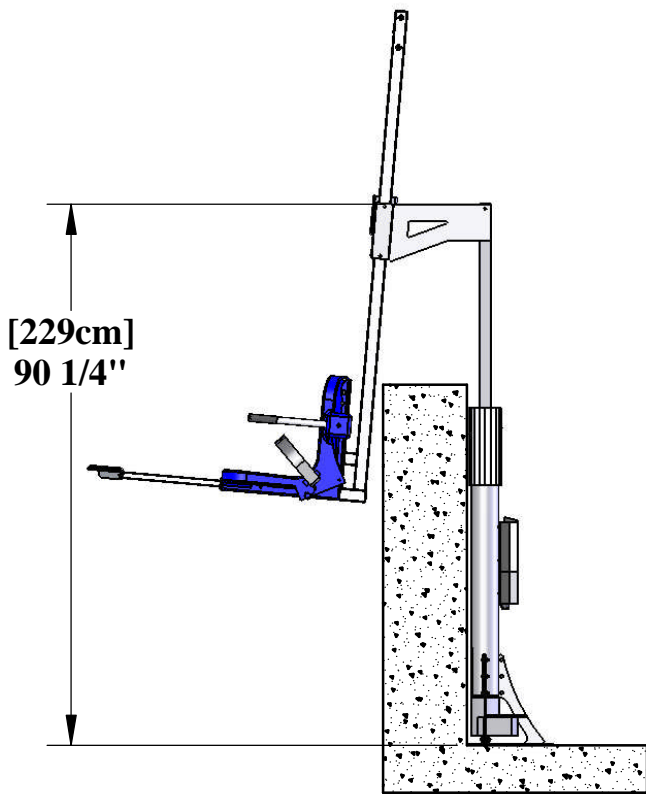
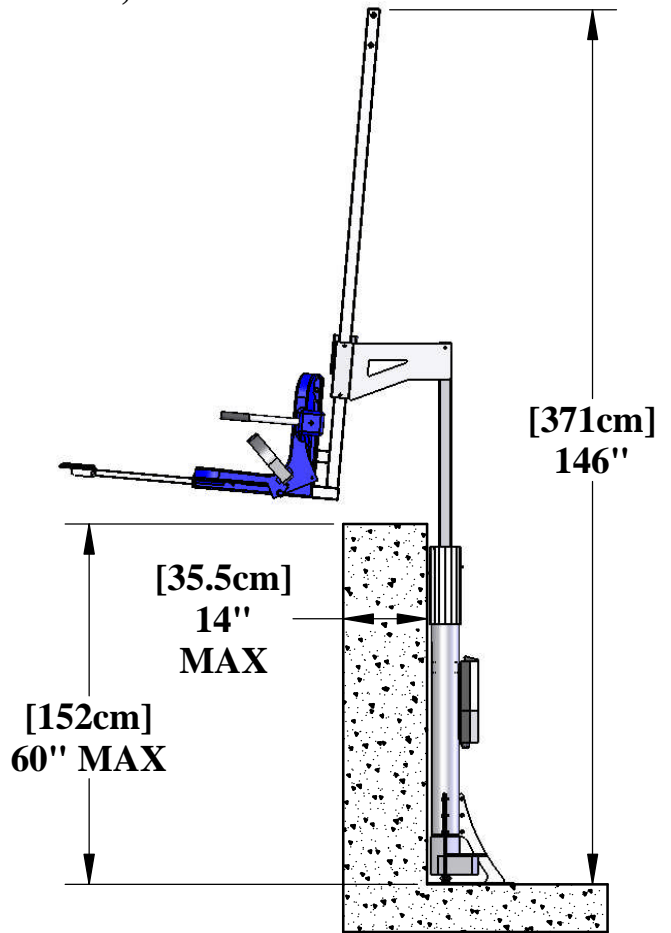


# THE PRO SPA 60™ LIFT

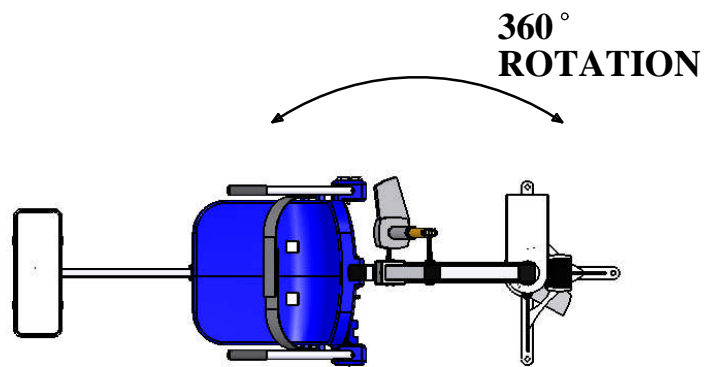
US PATENT NO. D507,769 S



**SIDE VIEW  
(IN SPA)**



**SIDE VIEW  
(ABOVE WALL)**



**TOP VIEW**

Inspected And Verified To Meet  
Applicable Sections of ADA  
Guidelines Section 1009.2 By

**wyle**  
laboratories

A Registered ISO 9001  
Laboratory



**Aqua Creek Products**

The Total Solution for Pool and Spa Access

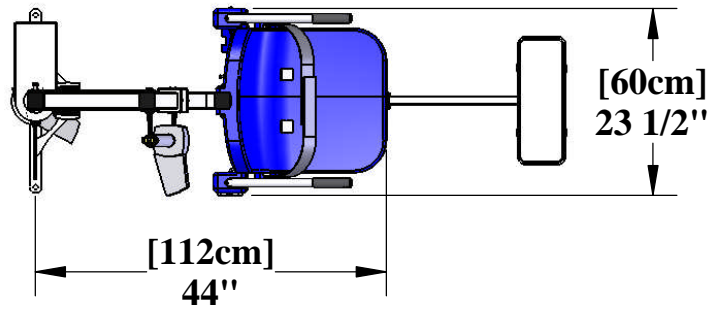
9889 GARRYMORE LANE  
MISSOULA, MT 59808  
(406) 549-0769  
FAX (406) 549-2602

NOTE:  
\*SPECIFICATIONS ARE SUBJECT TO CHANGE WITHOUT NOTICE

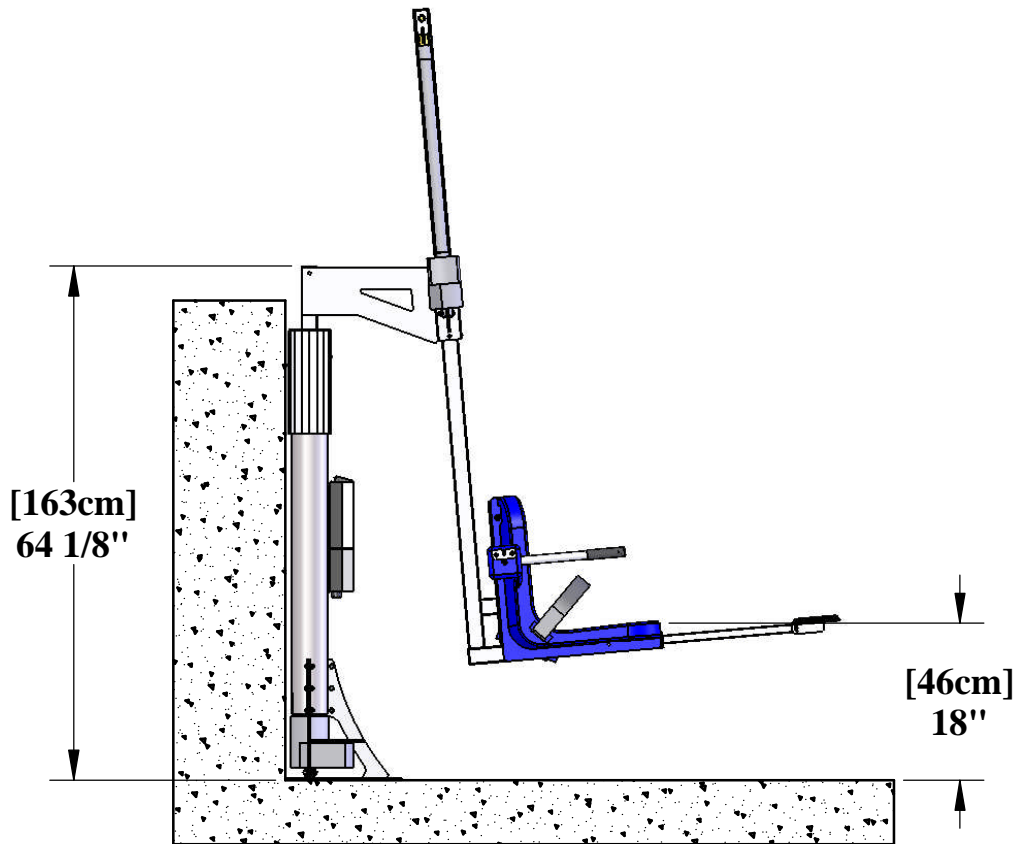
PRODUCT:	<b>F-007EXA</b>	
DWG #:	<b>F-007EXA-1</b>	
SCALE:	<b>1:32</b>	DATE: <b>5/8/12</b>
DRAWN BY:	<b>KR</b>	REVISION: <b>A</b>

# THE PRO SPA 60™ LIFT

US PATENT NO. D507,769 S



**TOP VIEW**



**SIDE VIEW**  
**(LOAD POSITION)**



**Aqua Creek Products**  
The Total Solution for Pool and Spa Access

9889 GARRYMORE LANE  
MISSOULA, MT 59808  
(406) 549-0769  
FAX (406) 549-2602

NOTE:  
\*SPECIFICATIONS ARE SUBJECT TO CHANGE WITHOUT NOTICE

PRODUCT:	<b>F-007EXA</b>	
DWG #:	<b>F-007EXA-2</b>	
SCALE:	<b>1:24</b>	DATE: <b>5/8/12</b>
DRAWN BY:	<b>KR</b>	REVISION: <b>A</b>

# THE PRO SPA 60™ LIFT

US PATENT NO. D507,769 S

## SPECIFICATIONS:

**LIFTING CAPACITY: 300 lbs [136kg]**  
**STATIC LOAD CAPACITY: 450 lbs [205kg]**

**MAXIMUM WATER DRAFT: DETERMINED BY CHAIR ARM LENGTH**  
**MAXIMUM SETBACK: VARIES DEPENDING ON WALL THICKNESS**

**WEIGHT: 180 lbs [82kg]**

### **MATERIALS:**

**BASE: TYPE 304 STAINLESS STEEL, PVC, CONCRETE, RUBBER**  
**MAST & ARMS: TYPE 304 STAINLESS STEEL**  
**CHAIR & FOOTREST: LOW-DENSITY POLYETHYLENE**  
**SAFETY BELT: HEAVY-DUTY POLYESTER STRAP, HOOK & LOOK FASTENER**  
**POWDER COATING: OFF-WHITE EPOXY (FORREST PAINT #1911)**

### **STANDARD EQUIPMENT:**

**DUAL FLIP-UP ARMRESTS**  
**PULLOUT LEGREST**  
**SAFETY BELT**

**24V BATTERY & CHARGER**  
**WATERPROOF HANDSET/REMOTE**

### **AVAILABLE OPTIONS:**

**WOOD DECK ANCHOR**  
**HEADREST**  
**COVER**

**PART NUMBER**  
**F-106SLWDP**  
**F-422PLH**  
**F-445SLC**



9889 GARRYMORE LANE  
MISSOULA, MT 59808  
(406) 549-0769  
FAX (406) 549-2602

NOTE:  
\*SPECIFICATIONS ARE SUBJECT TO CHANGE WITHOUT NOTICE

PRODUCT:	<b>F-007EXA</b>	
DWG #:	<b>F-007EXA-3</b>	
SCALE:	<b>1:1</b>	DATE: <b>5/8/12</b>
DRAWN BY:	<b>KR</b>	REVISION: <b>A</b>